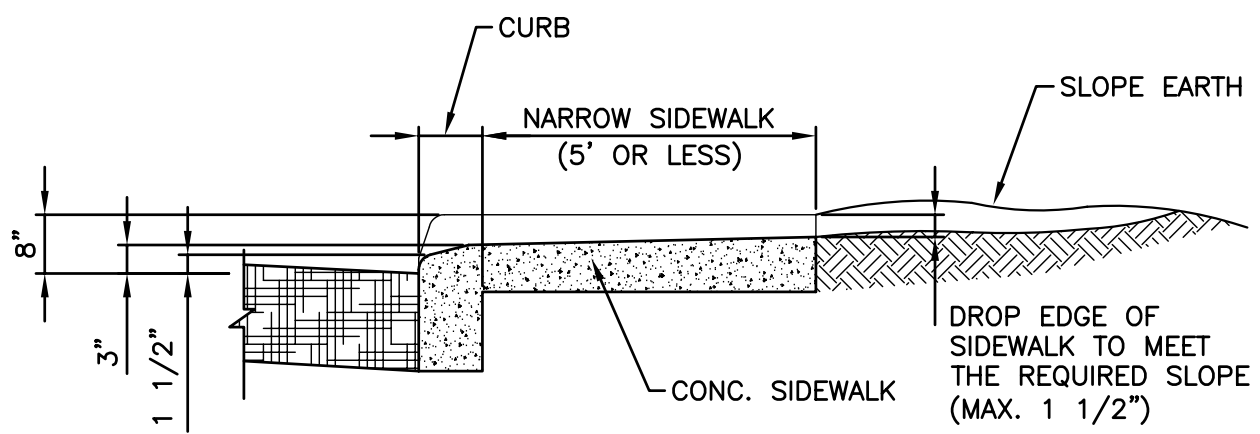


NOTE:
THE L DISTANCE SHOULD BE ADEQUATE TO ACCOMMODATE TURNING VEHICLES.



SECTION A-A

Center Township Standard Detail

DRIVEWAY SLOPES

SD29