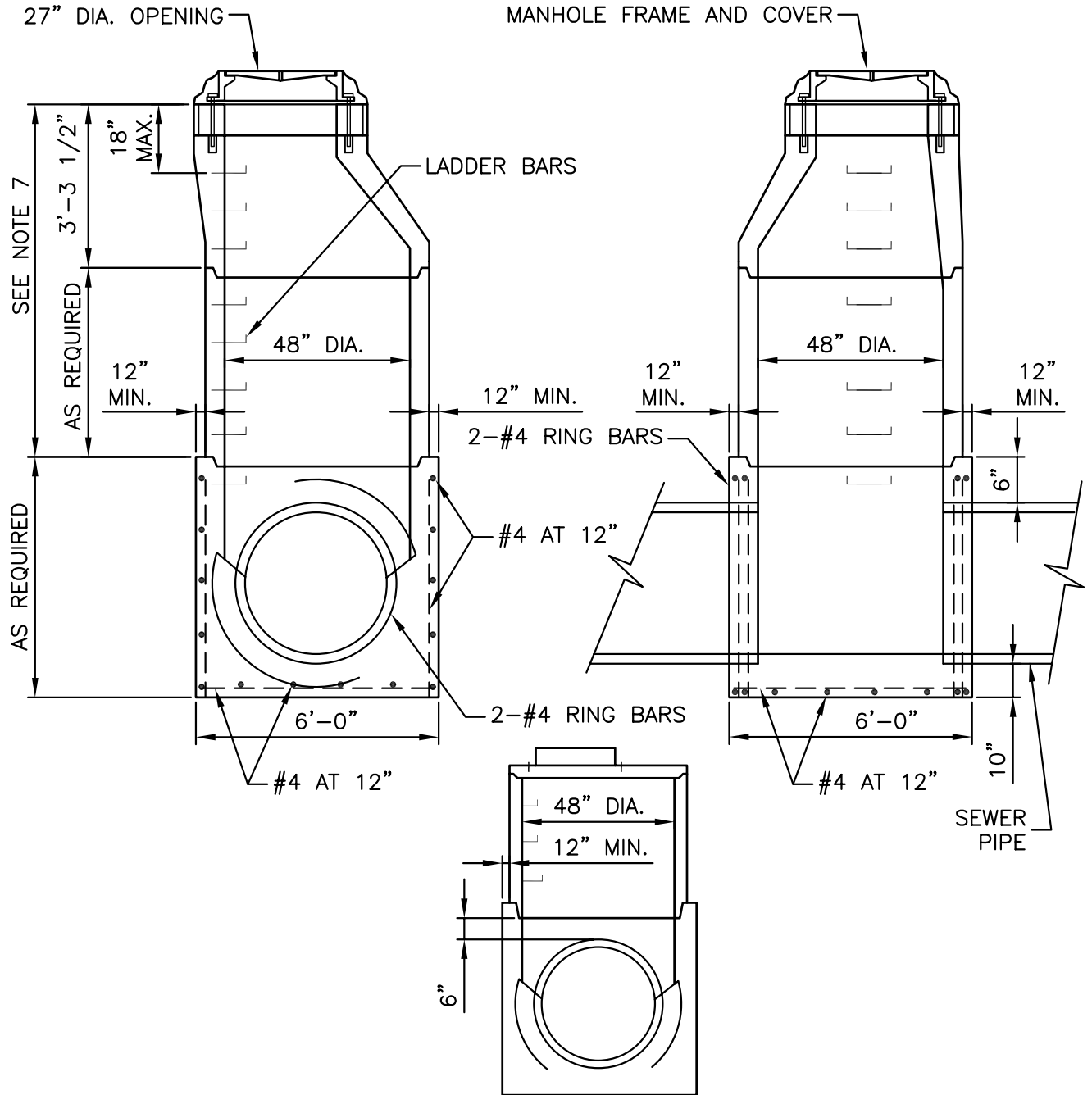


NOTES:

1. ALL CONCRETE SHALL BE CLASS A CONCRETE, 4000 PSI. 5% ±1% AIR ENTRAINED.
2. MANHOLE BARREL JOINTS TO BE SEALED WITH FLEXIBLE BUTYL RUBBER JOINT SEALANT
3. FRAME AND COVER TO BE ANCHORED WITH 2 3/4" DIA. S.S. ANCHOR BOLTS SET 6 INCHES INTO CONCRETE.
4. LIFTING HOLES TO BE POINTED WITH NON-SHRINK GROUT, AND LEFT WATERTIGHT, NEAT AND SMOOTH.
5. MAXIMUM ADJUSTMENT TO FINISHED GRADE USING PRECAST GRADE RINGS SHALL NOT EXCEED NINE INCHES (9")
6. PRECAST SECTIONS SHALL CONFORM TO ASTM C-478 AS REVISED.
7. IF THIS DIMENSION IS 3'-3" USE PRECAST SLAB TOP DESIGNED TO MEET LOAD CONDITIONS



## Center Township Standard Detail

PRECAST CONCRETE MANHOLE (20" TO 33")

**SD7**