

Center Township

150 Henricks Road, Butler, PA 16001-8472
Phone: 724.282.7805 Option 2 Fax: 724.282.6550

BUILDING AND ZONING PERMIT APPLICATION

Permit Applicants Name: _____ Date: _____

Phone Number: _____ Email Address: _____

Address of Applicant: _____

Is property owned by applicant? YES NO

BUILDING / CONSTRUCTION INFORMATION

Property Address of Construction Site: _____ Zoning District _____

Parcel Number: _____ Specific Use: Commercial Residential Agriculture

Pennsylvania One Call Number: _____ Phone Number: 1-800-242-1776

All Existing Buildings (sq. ft.): _____ Proposed Bldg. Area (sq. ft.): _____

Total Bldg. Area (sq. ft.): _____ Total property Size (sq. ft.): _____

Number of Stories: _____ Height of Structure above grade (ft): _____

Set back from street right-of-way (ft): _____ Distance from structure to rear property line (ft): _____

Side yards structure to line (ft): Left _____ Right _____ Distance between new structure and primary residence: _____

Center Township required building setbacks for each zoning district can be found at www.centertownship.net.

Check all that apply to scope of construction:

- Footing Foundation Concrete Slab Underground Plumbing Underground Mechanical
- Underground Electrical Framing Insulation Wall Board Plumbing Mechanical Electrical
- Energy Fire Protection Accessibility Other _____

(ALL CONSTRUCTION DRAWINGS MUST BE SUBMITTED AT TIME OF APPLICATION)

Floodplain

Is the site located within an identified flood hazard area? YES NO

Will any portion of the flood hazard be developed? YES NO

Owner/Agent shall verify that any proposed construction and/or development activity complies with the requirements of the National Flood Insurance Program and the Pennsylvania Flood Plain Management Act (Act 166-1978), specifically section 60.3

Description of construction:

Estimated Value of Construction Cost: _____ Estimated Start Date: _____

Estimated Completion Date: _____ applicant/permit holder must notify the Center Township Building Department forty-eight (48) prior to any required inspection. Applicant/permit holder may call 724-287-1945 to schedule inspection date and time or email your request to: centertownshipcodes@aol.com

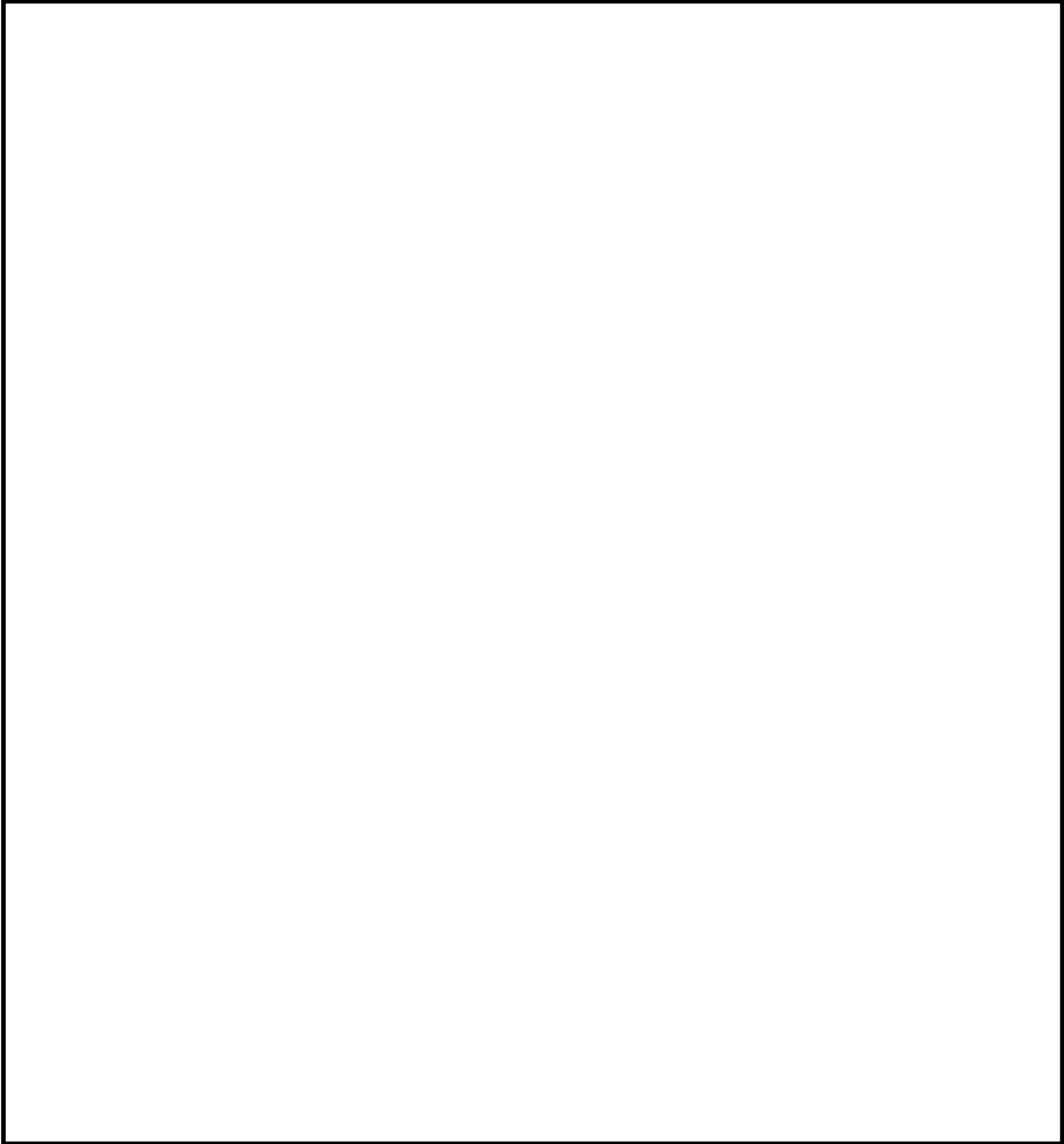
I hereby certify that to the best of my knowledge, The above facts are true and understand that in the event of falsification, I can be subject to fines.

Property Owners Signature: _____ Date: _____

Application and Review fees are non-refundable. Payment must be made at time of submittal; all checks should be made payable to the Center Township. Check Number: _____

Draw Plot Plan Here or Attach Drawing

Plot plan is a diagram of the lot with the foot prints of all buildings and structures in relation to property lines with measurements. Drawing should include any utility and other infrastructure, to the extent possible, and additional information.



WORKERS COMPENSATION AFFIDAVIT OF EXEMPTION

THIS FORM REQUIRES A NOTARY SEAL

The undersigned affirms that he/she is not required to provide workmen's compensation insurance under the provisions of Pennsylvania's Workers' Compensation Law for one of the following reasons, as indicated:

_____ Property owner performing own work. If property owner does hire contractor to perform any work pursuant to building permit, contractor must provide proof of workers' compensation insurance to the municipality. Home owner assumes liability for contractor compliance with this requirement.

_____ Contractor has no employees. Contractor prohibited by law from employing any individual to perform work pursuant to this building permit, unless contractor provides proof of insurance to the municipality.

_____ Religious exemption under the Workers' Compensation Law. All employees of contractor are exempt from workers' compensation insurance (attach copies of religious exemption letters for all employees).

Signature of Applicant

County of _____

Municipality of _____

WITNESS MY HAND AND NOTARIAL SEAL this _____ day of _____, 20_____.

SEAL

Notary Public

My Commission expires this _____ day of _____, 20_____

TOWNSHIP REQUIRED WAVERS

§16-103 General & Definition

C. Building Permit and Discarding of Waste: The Applicant for a building permit agrees to be responsible for disposing of waste materials such as papers, cartons and similar refuse from the construction site. The Applicant further agrees to prevent the same from being deposited and then thrown or blown upon land adjacent to or within the vicinity of the construction, and the Applicant further agrees to assume all responsibility for the discarding of waste on behalf of its subcontractors and material suppliers. For this purpose, Applicant shall maintain a dumpster on the site until completion of the improvements. Applicant, may burn non-toxic waste materials on the construction site subject to the provisions of the Township Fire Prevention/Protection Chapter 6 Article I. Failure to provide a dumpster shall result in revocation of the building permit and subject the applicant to the penalties set forth in §16-103.

§15-206.1 Portable Chemical Toilets Required for Construction Sites No residential or nonresidential building construction shall be started without the developer, builder or owner providing an on-site portable chemical toilet facility for use by the builder's employees, contractors, subcontractors and their employees. The portable chemical toilet facility shall be maintained at all times in a sanitary and good working order. The portable chemical toilet facility shall remain on-site until construction is either completed or until indoor plumbing facilities are constructed and made available to the builder's employees, contractors, subcontractors and their employees. Failure to provide a portable chemical toilet shall result in revocation of the building permit and subject the builder to the penalties set forth in §15-209 below. In addition, failure to maintain the portable chemical toilet in a sanitary and good working order shall result in revocation of the building permit and subject the builder to the penalties set forth in §15-209.

I _____ permit the contractors to enter my premises to use the indoor bathroom facilities and also permit contractor to dispose of construction waste within my trash until construction is completed.

If I fail to do either, I understand Center Township reserves the right to file a civil suit at the local District Justice which I will be responsible for all court costs and reasonable attorney's fees.

Property Owner Signature

Date

ROAD DAMAGE AFFIDAVIT

I _____ understand that during the hauling of construction material road damage may occur. If road damage occurs, I understand.

- A. applicant/contractor is responsible to repair the damage to Center Township specifications in accordance with Chapter 14, Article VI, Section 14-603, Subparagraph B.5.b of the Center Township Codified Ordinances, or
- B. if repairs are not completed within thirty (30) days after notification of damage has occurred, Center Township will repair the damage and invoice the applicant/contractor.

If I fail to do either option, I understand Center Township reserves the right to file a civil suit at the local District Magistrate which I will be responsible for all court costs and reasonable attorney's fees.

Property Owner or Contractors Signature

Date



Center Township Small Project Stormwater Management Application

Per Center Township's Act 167 Stormwater Management Ordinance, a stormwater management plan is required whenever Regulated Activities involve the creation of new impervious surfaces equal to, or greater than 1,000 square feet and less than 5,000 square feet. Impervious surfaces are areas that prevent the infiltration of water into the ground and shall include, but not be limited to, roofs, patios, garages, storage sheds and similar structures, and any new streets or sidewalks.

To Calculate Impervious Surfaces Please Complete This Table					
Surface Type	Length	X	Width	=	Proposed Impervious Area
Building (area per downspout)		x		=	
		x		=	
		x		=	
		x		=	
Driveway		x		=	
		x		=	
		x		=	
Parking Areas		x		=	
		x		=	
		x		=	
Patios/Walks		x		=	
		x		=	
		x		=	
		x		=	
Other		x		=	
		x		=	
		x		=	
Total Impervious Surface Area to be managed (sum of all areas)					1

All areas referenced above must be depicted on a Site Plan for all projects.

If Total Impervious Surface Area to be managed is **EQUAL TO or GREATER than 5,000 square feet**, the Applicant **MUST** submit a Stormwater Management Plan and Report as defined in Article VIII of the Ordinance and implement volume and rate controls.

If the Total Impervious Surface Area to be managed is **LESS THAN 5,000 square feet**, or the proposed development is a Single Family Residential Activity Implementing the minimum measures in Section 21-302.E. read, acknowledge and sign below. A Stormwater Management Plan and Report IS NOT required for this Regulated Activity. Center Township may request additional information and/or a SWM Plan for any reason.

See 'On Lot Stormwater Detention Sump Sizing Sheet', included on page 3 of this appendix, for volume calculations when designing a stormwater detention sump. Total Impervious Surface Area to be managed from this sheet is used for the volume calculations, denoted as field 1.

Applicant or Property Owner certifies that Sections 21-302.A., 21-302.B., and 21-302.C. have been adequately addressed and acknowledges that submission of inaccurate information may result in a stop work order or permit revocation. Acknowledgement of such is by signature below.

I declare that I am the Owner or Owner's legal representative. I further acknowledge that the information provided is accurate and employees of Center Township are granted access to the above described property for review and inspection

_____ **Owner or Legal Representation**
_____ **Date**



Center Township On Lot Stormwater Detention Sump Sizing Sheet

Please follow the below formulas to calculate required volume and appropriate sizing dimensions for Stormwater Detention Sumps. See Center Township Standard Details SD22, SD23, and SD24 on pages 5-7 of this appendix for more information. A 'Small Project Stormwater Management Application' should always accompany this form. See example on page 4.

$$\text{Total Impervious Surface Area to be managed} * \times \frac{2 \text{ inches}}{12} ** \times 2.5 *** = \text{Total Sump Volume}$$

Total Sump Volume = Length × Width × Depth, where

Depth = 5' maximum,

Length and Width vary based on each specific site, and

Length is greater than or equal to three times the Width

(In other words, length to width ratio is minimum 3:1, or $L \geq 3 \times W$)

Please show all calculations in the box below and complete the fields at the bottom of the page with the stormwater detention sump details for your proposed regulated activity.

Total Sump Volume = _____

Length = _____

Width = _____

Depth = _____

* See total area from 'Small Project Stormwater Management Application' worksheet, in square feet

** See section §21-304.B.2.a of the Stormwater Management ordinance, which states that the first 2 inches of runoff from all new impervious surfaces must be captured

*** See Center Township Standard Detail SD22, note 3, which states that sumps are assumed to be 40% voids



Center Township
On Lot Stormwater Detention Sump Sizing Sheet

Example A:

Proposed regulated activity includes the construction of 1,000 SF of roof area and 200 SF of driveway. There is 5' of available width on the lot for the sump.

$$\text{Total Impervious Surface Area to be managed} = 1,200 \text{ SF}$$

$$\text{Total Sump Volume} = 1,200 \times \frac{2}{12} \times 2.5 = 500 \text{ CF}$$

Assuming depth is the maximum 5', and width is the available 5':

$$\text{Total Sump Volume} = L \times W \times D$$

$$500 = L \times 5 \times 5$$

$$500 = L \times 25$$

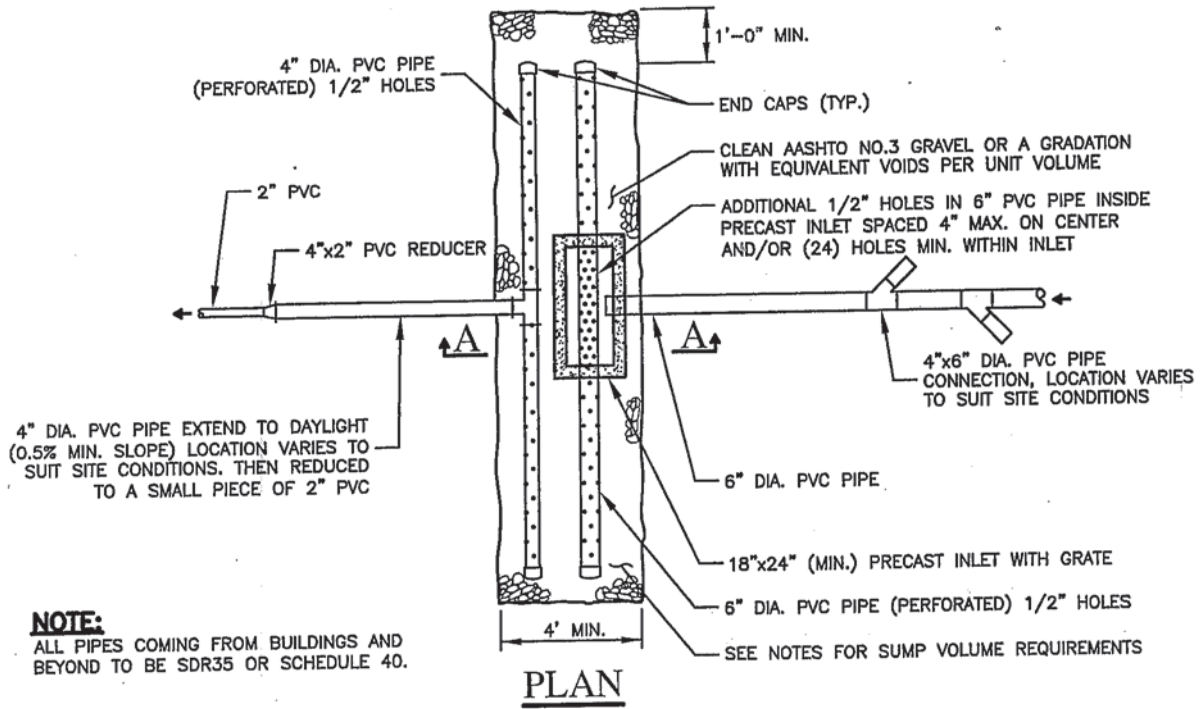
$$\frac{500}{25} = L$$

$$L = 20'$$

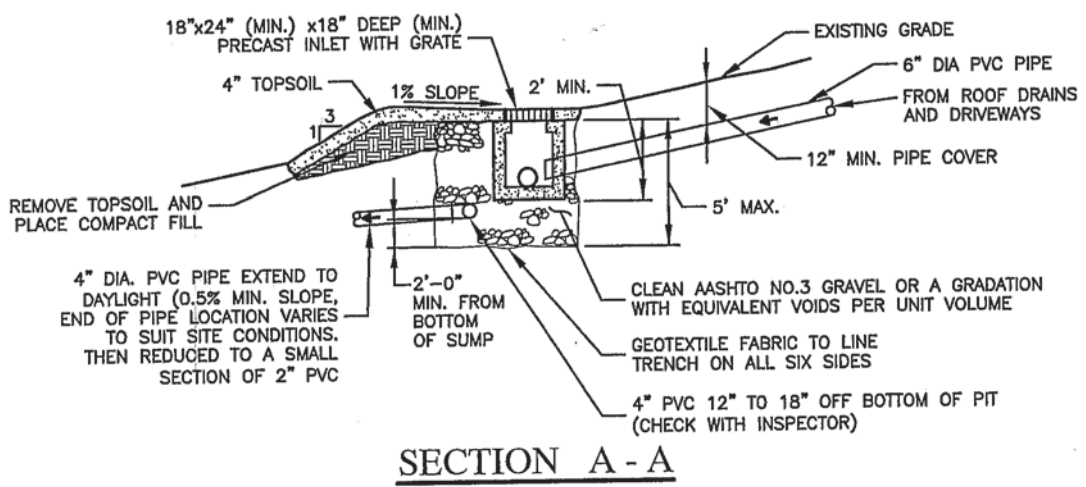
Check length to width ratio criteria:

$$L \geq 3 \times W$$

$$20 \geq 15 \checkmark$$



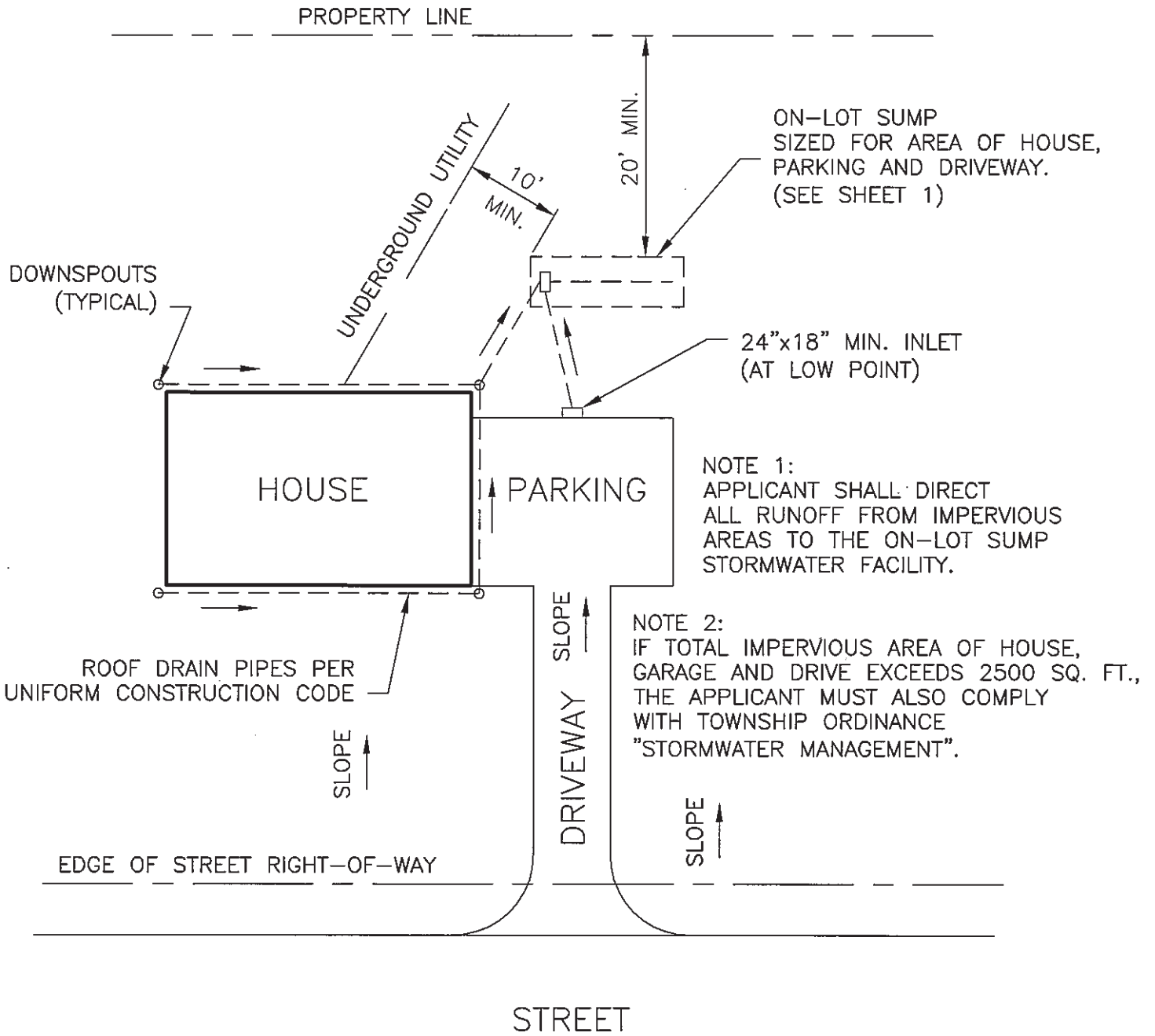
NOTE:
ALL PIPES COMING FROM BUILDINGS AND BEYOND TO BE SDR35 OR SCHEDULE 40.



NOTES:

1. AS A CONDITION OF RECEIVING A BUILDING PERMIT OR LAND SUBDIVISION APPROVAL, LOT OWNERS SHALL BE REQUIRED TO CONSTRUCT AN "ON-LOT STORMWATER DETENTION SUMP" CONFORMING TO DETAILS AND NOTES ON THIS DRAWING.
2. ALL DRY SUMPS DESIGNED FOR ACCEPTING SURFACE WATER FROM ROOF AND DRIVEWAY AREAS SHALL BE DESIGNED ACCORDING TO THE FOLLOWING CRITERIA.
3. EACH SUMP SHALL BE DESIGNED TO STORE A MINIMUM WATER VOLUME EQUIVALENT TO 2" OF PRECIPITATION COVERING THE NEW IMPERVIOUS TRIBUTARY AREA. FOR EXAMPLE, A SUMP FOR A 1200-SQUARE FOOT ROOF AREA WOULD BE DESIGNED TO STORE A WATER VOLUME OF 200-CUBIC FEET. THE TOTAL STORAGE VOLUME, ASSUMING THE SUMP IS 60% ROCK AND 40% VOIDS, WOULD BE 500-CUBIC FEET.

4. DRY SUMPS SHOULD BE ELONGATED IN A MINIMUM 3:1 LENGTH TO WIDTH RATIO AND BE ORIENTED WITH THE LONG DIMENSION PARALLEL TO THE CONTOUR.
 5. DRY SUMPS MUST BE CONSTRUCTED IN UNDISTURBED GROUND ONLY. DRY SUMPS SHALL BE 20- FEET OR MORE FROM ANY PROPERTY LINE OR RIGHT-OF-WAY LINE.
 6. DRY SUMPS SHALL BE LOCATED BELOW OR DOWN SLOPE SO AS TO NOT INTERFERE OR CAUSE SATURATION OF ANY EXISTING OR PROPOSED ON-LOT SANITARY DISPOSAL ABSORPTION, OR BUILDING FOUNDATION.
 7. INLET GRATES SHALL BE PROVIDED TO SUPPORT 50 PSF IN LAWN AREAS AND HS20 LOADS IN PAVED AREAS.
- * WHERE WATERCOURSE IS NOT AVAILABLE OR WHERE AN EXPOSED DISCHARGE PIPE IS INAPPROPRIATE, EXTEND THE 2" PIPE TO A DOWNGRADE 2'x2'x2' GRAVEL-FILLED SUMP PIT.



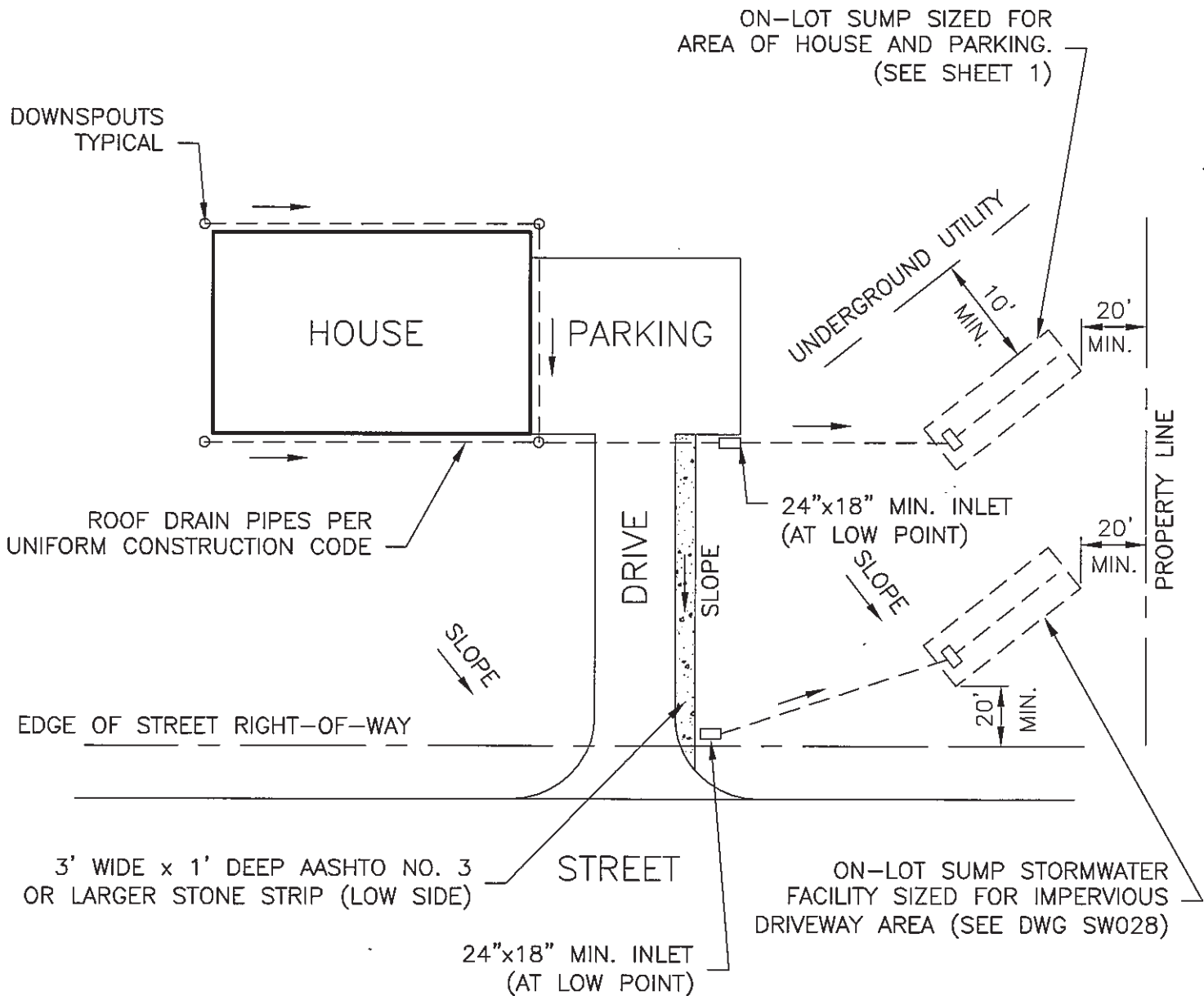
TYPICAL LOW SIDE LOT (RESIDENTIAL)

(NOT TO SCALE)

REV: 03-22-13

Center Township Standard Detail
ON LOT STORMWATER DETENTION SUMP

SD23



ON-LOT SUMP SIZED FOR AREA OF HOUSE AND PARKING. (SEE SHEET 1)

DOWNSPOUTS TYPICAL

HOUSE

PARKING

UNDERGROUND UTILITY
10' MIN.

20' MIN.

ROOF DRAIN PIPES PER UNIFORM CONSTRUCTION CODE

24"x18" MIN. INLET (AT LOW POINT)

20' MIN.

DRIVE

SLOPE

20' MIN.

EDGE OF STREET RIGHT-OF-WAY

PROPERTY LINE

3' WIDE x 1' DEEP AASHTO NO. 3 OR LARGER STONE STRIP (LOW SIDE)

STREET

ON-LOT SUMP STORMWATER FACILITY SIZED FOR IMPERVIOUS DRIVEWAY AREA (SEE DWG SW028)

24"x18" MIN. INLET (AT LOW POINT)

NOTE 1:
APPLICANT SHALL DIRECT ALL RUNOFF FROM IMPERVIOUS AREAS TO THE ON-LOT SUMP STORMWATER FACILITIES.

NOTE 2:
IF TOTAL IMPERVIOUS AREA OF HOUSE, GARAGE AND DRIVE EXCEEDS 2500 SQ. FT., THE APPLICANT MUST ALSO COMPLY WITH CENTER TOWNSHIP CODIFIED ORDINANCE CHAPTER 21 "STORMWATER MANAGEMENT".

NOTE:
THIS DRAWING SHOWS A SITUATION WHERE THE APPLICANT HAS DETERMINED IT IS IN HIS BEST INTEREST TO INSTALL 2 SMALLER ON-LOT SUMPS RATHER THAN ONE LARGER FACILITY.

TYPICAL HIGH SIDE LOT-(RESIDENTIAL)

(NOT TO SCALE)

REV: 03-22-13

Center Township Standard Detail

ON LOT STORMWATER DETENTION SUMP